

Low-intensity L810 Single Aviation Obstruction Light

AH-LI-B2



This Low-intensity light is a steady burning aviation obstruction light designed for marking top of obstacle that do not exceed 45 meters in height.

Compliance

- ICAO Annex 14 Volume 1, Seventh edition, 2016, table 6.3 Low Intensity Type A / B / E Obstacle Light
- FAA L-810
- CAAC MH6012-2015 Aviation obstruction light, MH 5001—2013 Aerodrome technical standards

Features

Electrical

- **3 high power CREE LED**, make sure LED keep bright while use
- **Power supply in DC(48V)& AC(110-240VAC)**, the light could work normally when input 48VDC/110VAC/240VAC
- LED power supply board includes short circuit and open circuit protection, Line surge protection by metal oxide varistor

Physical

- Bird deterrent spike on top
- Unique designed PMMA lens for converging light and good transparency
- High translucency and anti-UV polycarbonate cover could use 3-5years without yellowing
- UV protection Powder coated bright yellow color base make better visibility and also long life in harsh environments
- Base material is die casting aluminum which has strong corrosion resistance, Shock and Vibrations protection
- 3/4inch thread hole make pole installation easy
- **No screw fix type - just twist, the cover will be fixed tightly**

System design

- **Built-in photocell** for day/night operation(dusk to dawn operation, automatically turn on when background luminance < 50cd/m²)
- **Steady(factory setting)/20FPM/30FPM/60FPM** DIP switches on PCB
- Surge and lightning protection

Optional

- Alarm contact(NO COM NC)for remote monitoring
- Infrared LED for pilot using NVG
- GPS sync flashing
- Solar power system
- IOT remote monitoring

Application

- AH-LI-B2 low-intensity light could be used alone on the top of the High-rise Building, High Chimney, marking towers (Telecom, GSM, Microwave & TV), High Pole, Tower Crane, Wind Turbine, etc when the height is lower than 45m.
- When obstacle object is higher than 45m, AH-LI-B2 can be used with Medium-intensity or high-intensity obstruction light to indicate hazardous obstructions with a steady red safety light.

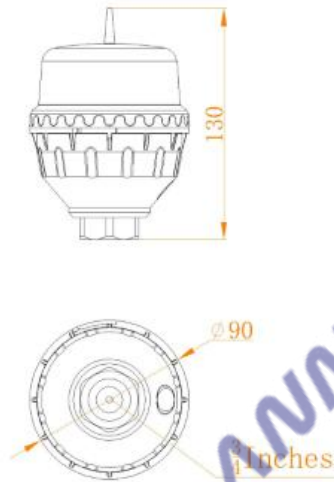
APPLICATION



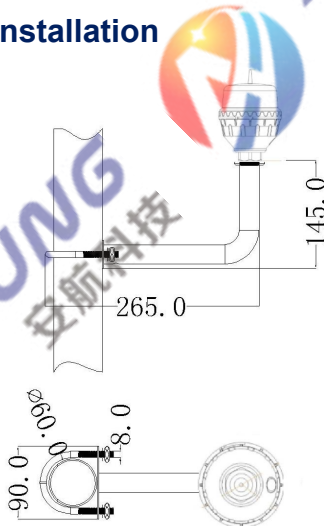
Low-intensity L810 Single Aviation Obstruction Light

AH-LI-B2

Dimension(unit:mm)

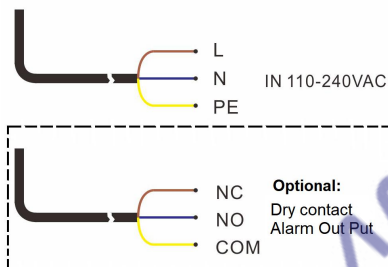


Installation



(Mounting bracket is charged separately, and size is customized)

Wiring diagram



SPECIFICATIONS

AH-LI-B2 Low-intensity L810 Single Aviation Obstruction Light

Light Characteristics

Light Source	LED
Available Colors	Red
Intensity(candela)	≥32.5cd(type B),others optional(10cd, 100cd,etc)
Horizontal Output(degrees)	360
Vertical Divergence(degrees)	≥10
Flash Characteristics	Steady-burning/20/30/60 adjustable
Operation Mode	Dusk-to-dawn Automatically as standard.
LED Life Experience(hours)	>100,000

Electrical Characteristics

Operating Voltage	DC(12V, 48VDC) or AC(110-240VAC) or others
Power(W)	2.5
Lightning surge	IEC61000-4-5 L- N ±3kV IEC61000-4-5 L- PE ±6kV IEC61000-4-5 N- PE ±6kV IEC61000-4-2 Contact discharge 8kV
Electrostatic Circuit Protection	Integrated

Physical Characteristics

Body Material	Polycarbonate
Base Material	Die-casting aluminum
Mounting	3/4 inch pipe thread as standard. 1inch as option
Dimension(mm)	Φ90×130
Weight(kg)	0.3
Product Life Expectancy	10 years Plus

Environmental Factors

Ambient Temperature(°C)	-40~75
Storage temperature(°C)	-55~70
Humidity	10%-95%RH(No condensation)
Wind Speed	130m/s
Waterproof	IP66

Compliance

ICAO	Annex 14 Volume 1,'Aerodrome Design and Operations' Seventh edition July 2016, table 6.3
FAA	Low-intensity Type A/B/E Obstacle Light L-810

Options Available

Flashing rate	
NVG(Night Vision Goggles) compatible LED	
Dry contact alarm(NO COM NC)	
GPS sync flashing	
IOT remote monitoring	
Solar power system	

Low-intensity L810 Single Aviation Obstruction Light

AH-LI-B2

Configuration

Model	Power input	Flash rate	Lens color	Photocell	Dry contact Alarm	GPS sync flashing	Control
AH-LI-B2	110-240Vac&48dc 12Vdc 24Vdc 36Vdc	Steady 20FPM 60FPM 40FPM 30FPM	Red Clear	Built-in No	No Alarm Alarm	NO SYNC GPS SYNC	Used alone Used with controller

Remark: The first line is the factory setting if no special request.

Photometric

