

# Heliport Directional Arrow

## AH-HP-D



AH-HP-D Heliport Directional Arrow has double functions. Floodlights on middle is used for illumination. Top perimeter light mark the edge of the final approach and take-off area. .

### Compliance

- ICAO Annex 14 Volume II Heliports 5.3.
- FAA AC 150/5390-2B Heliport Design Guide
- CAP 437



### Features

#### Electrical

- LED as light source saving power consumption and maintenance, 95% less power than equivalent incandescent light
- Power supply available in DC(12-48VDC) or AC(110-240VAC)

#### Physical

- Unique designed polycarbonate lens for converging light and also provides corrosion resistance and UV protection.
- UV protection Powder coated bright yellow color base make better visibility
- Base material is die casting aluminum which has strong corrosion resistance, Shock and Vibrations protection
- Fragile coupling reduce the secondary damage to helicopters effectively

#### Optional

- Controller for power supplying and turn ON/OFF light
- VHF pilot to ground remote control



## APPLICATION



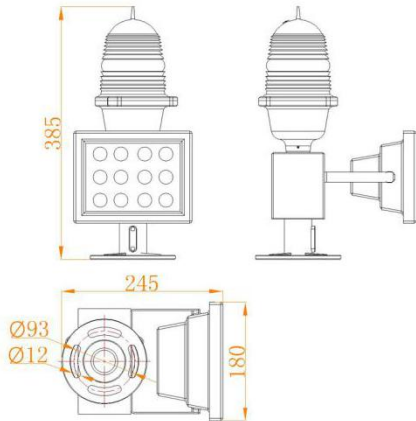
### Application

- Helipad/Heliport FATO areas
- Helipad Runway
- Helipad taxiway

# Heliport Directional Arrow

## AH-HP-D

### Dimension



### Heliport



### SPECIFICATIONS

### AH-HP-D Heliport Directional Arrow

#### Light Characteristics

Light Source	LED
Perimeter Light Colors	Green, Yellow, White, Red, Blue
Perimeter Light Intensity(cd)	≥50cd
Horizontal Output(degrees)	360
Vertical Divergence(degrees)	≥10
Flash Characteristics	Steady burning
Operation Mode	24hours operation
LED Life Experience(hours)	>100,000
Flood Light Color	White

#### Electrical Characteristics

Operating Voltage	DC(12-48VDC) or AC(110-240VAC)
Power(W)	20
Circuit Protection	Integrated

#### Physical Characteristics

Body Material	UV protected Polycarbonate
Base Material	Powder-coated Die-casting aluminum
Mounting	93×93×12
Dimension(mm)	245×180×385
Weight(kg)	3
Base	Frangible coupling
Product Life Expectancy	Average 5 years

#### Environmental Factors

Ambient Temperature(°C)	-55~70
Humidity	10~90%
Wind Speed	80m/s
Waterproof	IP65

#### Compliance

ICAO	ICAO Annex 14 Volume II Heliports 5.3
FAA	FAA AC 150/5390-2B Heliport Design Guide

#### Options Available

VHF Pilot to Ground Remote Control